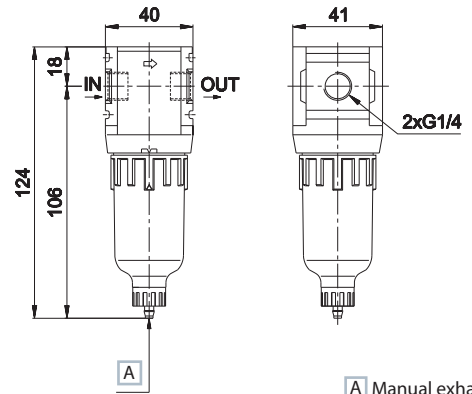


| Size | 0 | 1 | 2 | |
|-----------------------------------|----------------|----------------|----------------|----------------|
| Part no. | HZE0F08G | HZE1F10G | HZE1F15G | HZE2F15G |
| Threaded port | G1/4 | G3/8 | G1/2 | G1/2 |
| Filtration rating (µm) | 5 | 5 | 5 | 5 |
| Flow rate (NI/min) ^(A) | 1100 | 3500 | 6500 | 6500 |
| Max inlet pressure (bar-MPa-psi) | 10 - 1 - 145 | 10 - 1 - 145 | 10 - 1 - 145 | 10 - 1 - 145 |
| Fluid | compressed air | compressed air | compressed air | compressed air |
| Temperature (°C) | 0 ÷ 60 | 0 ÷ 60 | 0 ÷ 60 | 0 ÷ 60 |
| Condensation drain capacity (cm3) | 12 | 45 | 80 | 80 |
| Condensation drain | manual | manual | manual | manual |
| Weight (Kg) | 0,10 | 0,31 | 0,55 | 0,55 |
| Mounting position | vertical | vertical | vertical | vertical |

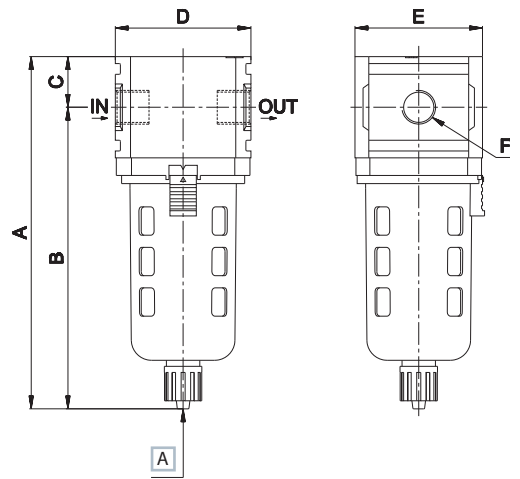
(A) = inlet pressure 6 bar, outlet pressure 5 bar - Δp 1 bar

HZE0F08G



A Manual exhaust

HZE1F10G - HZE1F15G / HZE2F15G



A Manual exhaust

| size | A | B | C | D | E | F |
|------|-----|-----|----|----|----|-----------|
| 1 | 180 | 157 | 23 | 63 | 63 | G3/8-G1/2 |
| 2 | 195 | 172 | 23 | 80 | 80 | G1/2 |