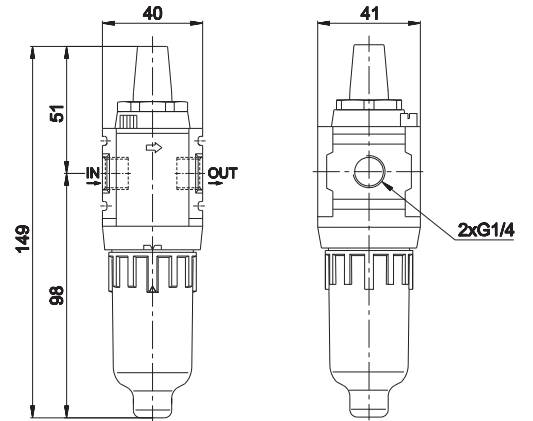


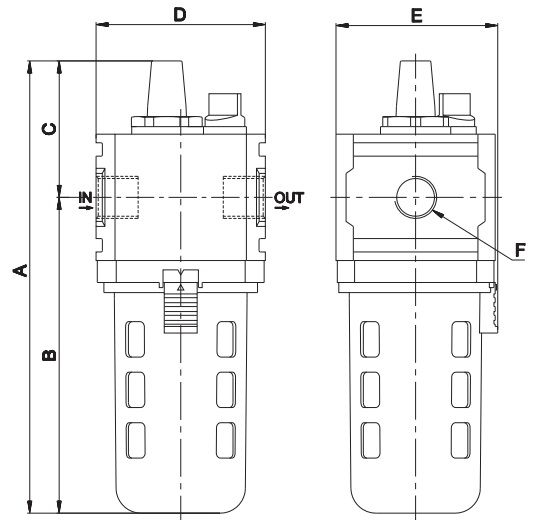
| Size                             | 0            | 1            | 2            |          |
|----------------------------------|--------------|--------------|--------------|----------|
| Part no.                         | HZE0L08G     | HZE1L10G     | HZE1L15G     | HZE2L15G |
| Threaded port                    | G1/4         | G3/8         | G1/2         | G1/2     |
| Flow (NI/min) (A)                | 1400         | 4400         | 7000         |          |
| Max inlet pressure (bar-MPa-psi) | 10-1-145     | 10-1-145     | 10-1-145     |          |
| Fluid                            | filtered air | filtered air | filtered air |          |
| Temperature (°C)                 | 0 ÷ 60       | 0 ÷ 60       | 0 ÷ 60       |          |
| Bowl capacity (cm3)              | 20           | 85           | 170          |          |
| Weight (Kg)                      | 0,10         | 0,31         | 0,46         |          |
| Mounting position                | vertical     | vertical     | vertical     |          |
| Recommended oil                  | ISO VG 32    | ISO VG 32    | ISO VG 32    |          |
| Minimum working flow (l/min)     | 25           | 30           | 65           |          |

(A) = inlet pressure 6 bar, outlet pressure 5 bar - Δp 1 bar

HZE0L08G



HZE1L10G - HZE1L15G / HZE2L15G



| size | A     | B   | C    | D  | E  | F         |
|------|-------|-----|------|----|----|-----------|
| 1    | 182,5 | 130 | 52,5 | 63 | 63 | G3/8-G1/2 |
| 2    | 201,5 | 148 | 53,5 | 80 | 80 | G1/2      |