

CH

2/2 - 3/2 G1/8 poppet valves

Main features:

- closed centers
- high flow rate
- quick response time

Suitable for heavy duties and where the number of mechanical operation is high.



TECHNICAL CHARACTERISTICS

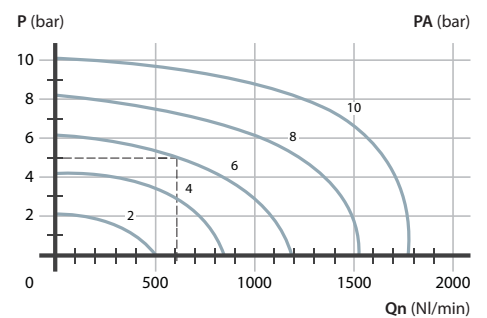
Ambient temperature	-10 ÷ +45 °C
Fluid temperature	max + 50 °C
Fluid	not dehumidified filtered air 50 µm, lubricated or not
Commutation system	poppet system
Ways/Positions	2/2 NC, 3/2 NC, 2/2 NO, 3/2 NO
Pressure	max 10 bar
Control	manual, mechanical
Return	mechanical spring
Connections	G1/8
Nominal Ø	5 mm
Nominal flow rate (NI/min)	NC = 600 NO = 550

CONSTRUCTIVE CHARACTERISTICS

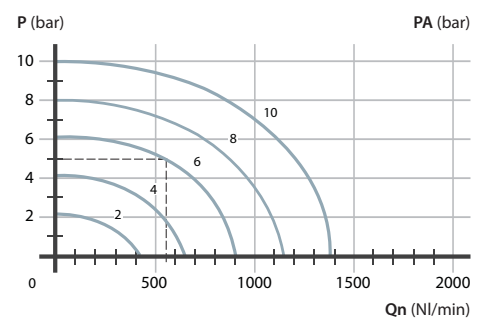
Valve body	die-cast zamak
Seals	nitrile rubber
Actuators	zinc-plated steel/technopolymer
Spool	nickel-plated brass

Flow rate characteristics

>> 3/2 NC

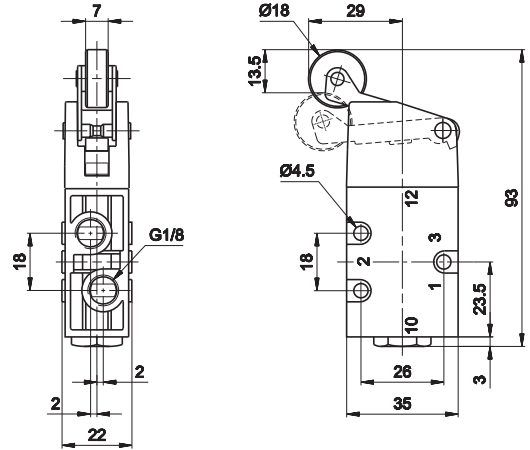


>> 3/2 NO



P = Working pressure
PA = Supply pressure
Qn = Flow rate

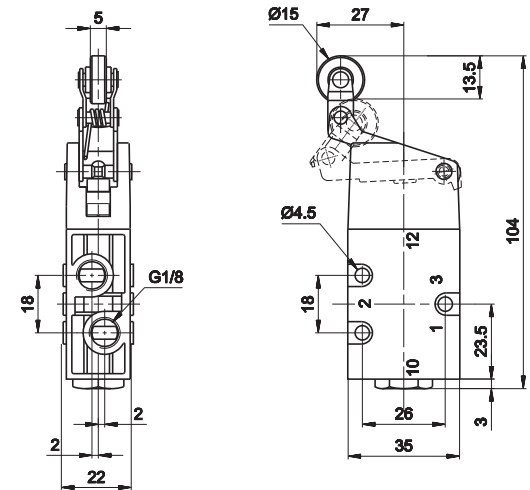
Roller lever - spring



- 1 = Supply port
- 2 = Use
- 3 = Exhaust
- 12 = Control
- 10 = Return

	Symbol	Flow rate (NI/min)	Force N	Weight Kg	Part no.
3/2 NC		600	21	0,2	CH-250
2/2 NC		600	21	0,2	CH-252
3/2 NO		550	15	0,2	CH-254
2/2 NO		550	15	0,2	CH-256

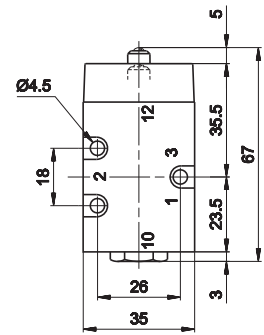
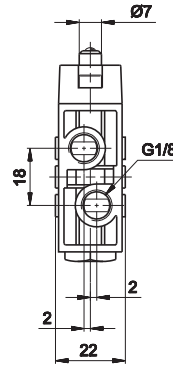
Uni-directional roller lever - spring



- 1 = Supply port
- 2 = Use
- 3 = Exhaust
- 12 = Control
- 10 = Return

	Symbol	Flow rate (NI/min)	Force N	Weight Kg	Part no.
3/2 NC		600	16	0,21	CH-260
2/2 NC		600	16	0,21	CH-262
3/2 NO		550	12	0,21	CH-264
2/2 NO		550	12	0,21	CH-266

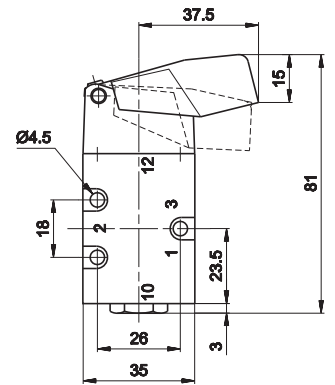
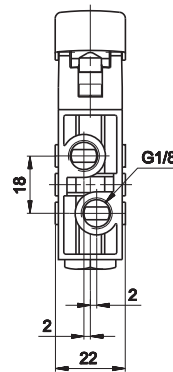
Ball-push - spring



- 1 = Supply port
- 2 = Use
- 3 = Exhaust
- 12 = Control
- 10 = Return

	Symbol	Flow rate (NI/min)	Force N	Weight Kg	Part no.
3/2 NC		600	51	0,18	CH-270
2/2 NC		600	51	0,18	CH-272
3/2 NO		550	39	0,18	CH-274
2/2 NO		550	39	0,18	CH-276

Button lever - spring



- 1 = Supply port
- 2 = Use
- 3 = Exhaust
- 12 = Control
- 10 = Return

	Symbol	Flow rate (NI/min)	Force N	Weight Kg	Part no.
3/2 NC		600	18	0,18	CH-280
2/2 NC		600	18	0,18	CH-282
3/2 NO		550	14	0,18	CH-284
2/2 NO		550	14	0,18	CH-286

Red button lever

