

LEVEL COMPENSATORS

L12 series

Features and Strengths

Reliable and precise pick up position for differences in height on the surface of material
Configurations with varying sizes of spring and stroke



Specifications

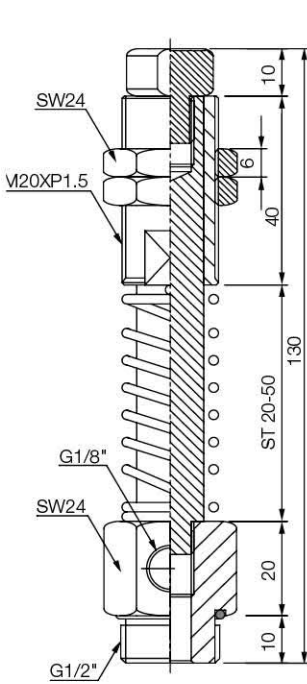
Model	Stroke (mm)	Weight (g)	Material
L1230	30	289	Al, SS, BS
L1230T	30	241	Al, SS, BS
L1250	50	350	Al, SS, BS
L1250T	50	156	Al, SS, BS
L1250LT	50	306	Al, SS, BS
L1280	80	185.59	Al, SS, BS
L1280-18F	80	175.20	Al, SS, BS
L1280-14F	80	193.42	Al, SS, BS

Build an Ordering No.

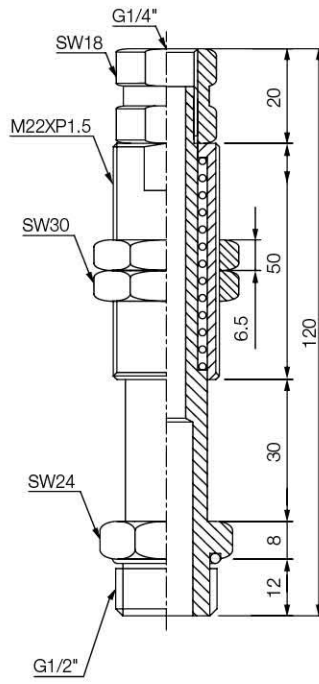
1. Level compensator	Description	Symbol
	Level compensator, 30mm stroke, Connection – Fitting G1/2" male	L1230
	Level compensator, 30mm stroke, Connection – Fitting G1/2" male	L1230T
	Level compensator, 50mm stroke, Connection – Fitting G1/2" male	L1250
	Level compensator, 50mm stroke, Connection – Fitting G1/2" male, G1/4" female	L1250T
	Level compensator, 50mm stroke, Connection – Fitting G1/2" male	L1250LT
	Level compensator, 80mm stroke, Connection – Fitting G1/2" male	L1280
	Level compensator, 80mm stroke, Connection – Fitting G1/2" male, G1/8" female	L1280-18F
	Level compensator, 80mm stroke, Connection – Fitting G1/2" male, G1/4" female	L1280-14F

Dimension

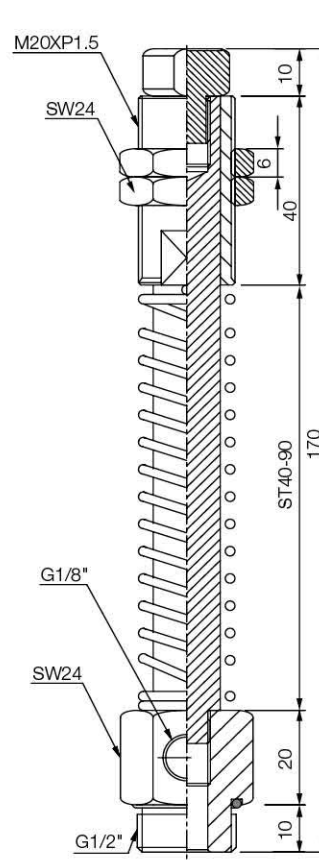
[Unit : mm]



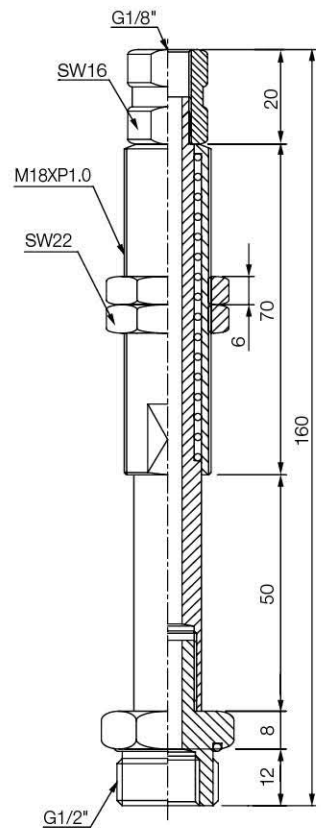
[L1230]



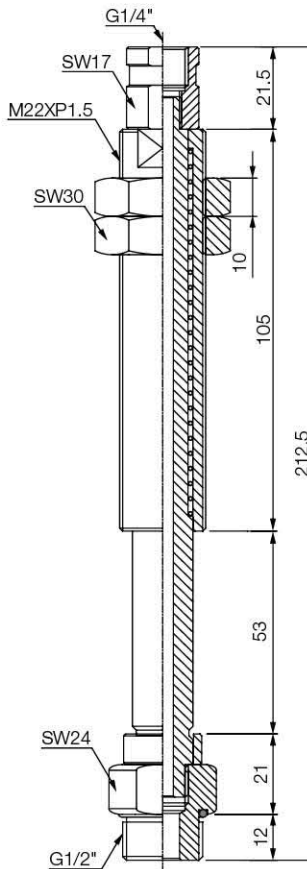
[L1230T]



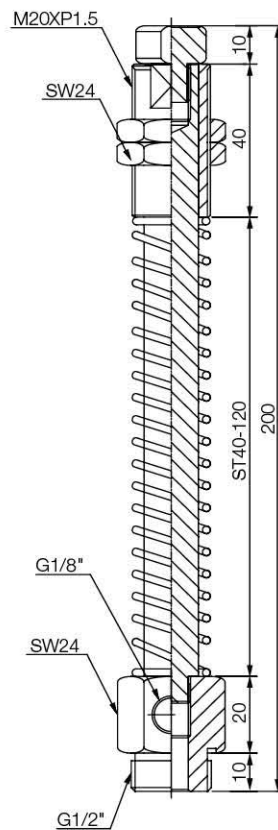
[L1250]



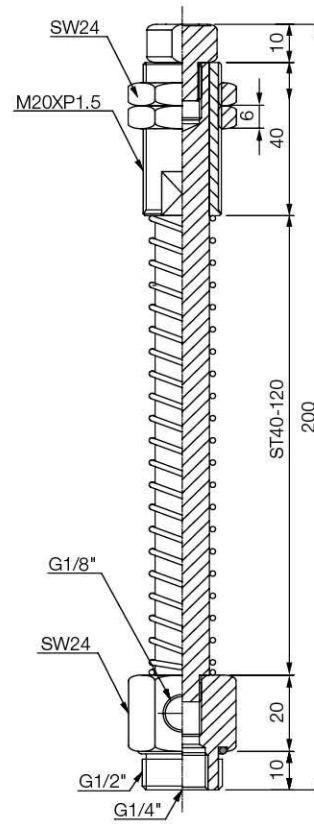
[L1250T]



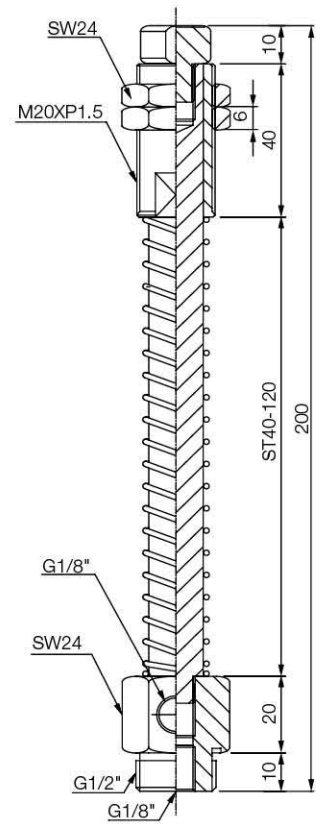
[L1250LT]



[L1280]



[L1280-14F]



[L1280-18F]