

VACUUM FILTERS

Line vacuum filter (VL-filter)

Features and Strengths

Simply pushing the tube into the LV-filter

(No other operation is required)

Excellent filtering – Minimum particle : 10micron

Easy to check and replace filter element



Specifications

Model	Tube size (mm) (Outer diameter)	Removal efficiency (μ)	Filter area (mm ²)	Temperature (°C)	Weight (g)
VTF-0706	6	10	7.5	0 ~ 60	25.0
VTF-1208	8	10	12.5	0 ~ 60	39.5

Build an Ordering No.

1. Line vacuum filter	Description	Ordering No.
	Line vacuum filter, 10 Micron, 6mm tube outer diameter	VTF-0706
	Line vacuum filter, 10 Micron, 8mm tube outer diameter	VTF-1208

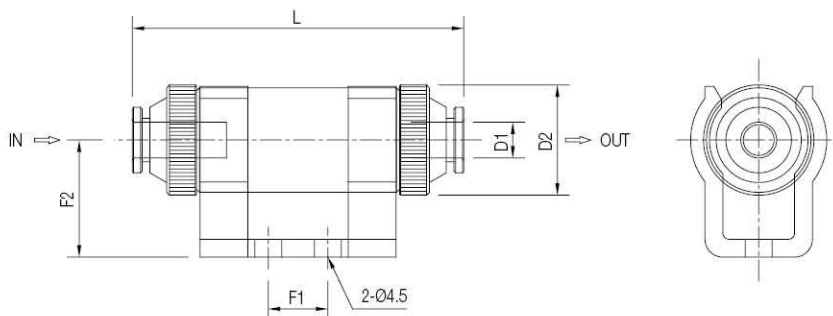
Spare Parts – Filter Element

Model No.	Description	Weight (g)
VTFE0706	Filter Element for VTF-0706	0.74
VTFE1208	Filter Element for VTF-1208	1.2

Dimensions

[Unit : mm]

Model	L	D1	D2	F1	F2
VTF-0706	55.5	Ø6	Ø18.5	10	20
VTF-1208	65.2	Ø8	Ø22.5	14	44



IN-Line vacuum filter (VL-filter)

Features and Strengths

Simply pushing the tube into the LV-filter
 (No other operation is required)
 Excellent filtering – Minimum particle : 10micron
 Easy to check and replace filter element



Specifications

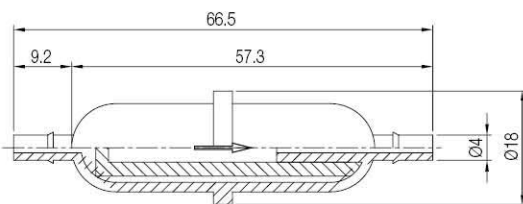
Model	Port size (Inner diameter)	Removal efficiency (μ)	Internal volume (cm ³)	Material	Temperature (°C)	Weight (g)
VTF-06-IN	Ø4	20	4	PP, PE	0 ~ 80	4
VTF-38-IN	G3/8"	20	20	PP, PE	0 ~ 80	14

Build an Ordering No.

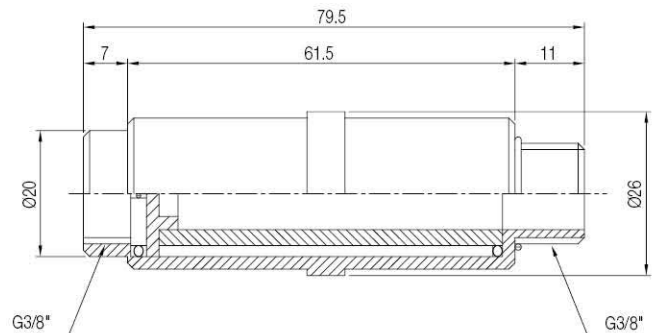
1. IN-Line vacuum filter	Description	Ordering No.
	IN-Line vacuum filter, 20 Micron, 4mm tube inner diameter	VTF-06-IN
	IN-Line vacuum filter, 20 Micron, G3/8" tube inner diameter	VTF-38-IN

Dimensions

[Unit : mm]



[VTF-06-IN]



[VTF-38-IN]