

# PRESSURE GAUGE

## VTG-18 / VG-18

### Features and Strengths

Vacuum gauge with high quality and long life time  
Available to be mounted directly into the panel plate with fixing nut



VTG-18



VG-18

### Specifications

Model	VTG-18	VG-18
Connection	G1/8" male & M5 female	G1/8" male
Accuracy	±1.6% full scale	±1.6% full scale
Pressure range	-100 ~ 0kPa	0 ~ - 100kPa
Temperature range		-40 ~ +60
Material	Brass, ABS, PMMA	Brass, ABS, PMMA
Weight	58g (with mounting nut) 52g (without mounting nut)	32g

### Build an Ordering No.

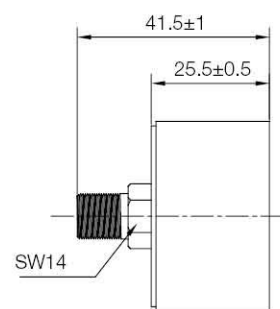
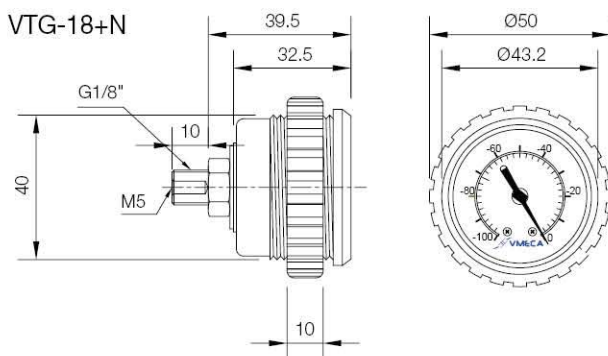
## VTG-18

### 1. Gauge

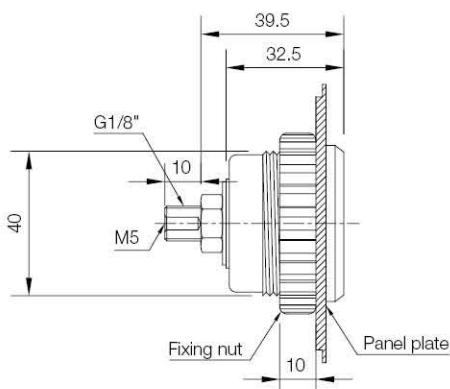
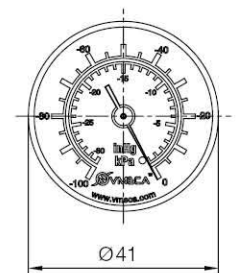
1. Gauge	Description	Ordering No.
	Vacuum gauge, Dial type, No mounting nut	VTG-18
	Vacuum gauge, Dial type, Mounting nut	VTG-18+N
	Vacuum gauge, Dial type, No mounting nut	VG-18

### Dimensions

[ Unit : mm ]



VG-18



# VTPG-18 / VPG-18

## Features and Strengths

Pressure gauge with high quality and long life time  
Available to be mounted directly into the panel plate with fixing nut



VTPG-18



VPG-18

## Specifications

Model	VTPG-18	VPG-18
Connection	G1/8" male & M5 female	G1/8" male
Accuracy	±1.6% full scale	±2.5% full scale
Pressure range	0 ~ 10bar	0 ~ 10 bar
Temperature range		-40 ~ +60
Material	Brass, ABS, PMMA	Brass, ABS, PMMA
Weight	58g (with mounting nut) 52g (without mounting nut)	32g

## Build an Ordering No.

### VTPG-18

#### 1. Gauge

1. Gauge	Description	Ordering No.
	Pressure gauge, Dial type, No mounting nut	VTPG-18
	Pressure gauge, Dial type, Mounting nut	VTPG-18+N
	Pressure gauge, Dial type, No mounting nut	VPG-18

## Dimensions

[ Unit : mm ]

