

F

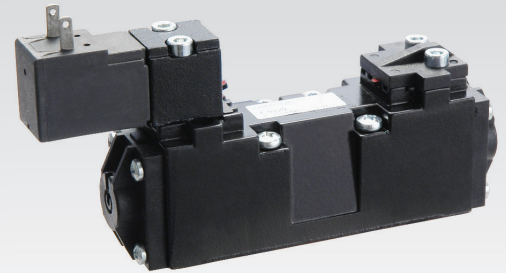
COMPA 4 Miniature Valves

- Compact dimensions
- Modularity
- High flow rate
- Quick response time

Available ATEX version upon request

CE Ex II 2Gc IIC T5 II 2Dc T100°C

CE Ex II 3 GD c nA II T5-10°C ≤ Ta ≤ 45°C



TECHNICAL CHARACTERISTICS

Ambient temperature	-10 ÷ +45 °C
Fluid temperature	-20 ÷ +50 °C
Fluid	10 µm filtered air
Commutation system	spool
Ways/Positions	5/2
Pressure	max 10 bar
Control	manual, mechanical
Return	mechanical spring
Connections	for sub-base
Nominal Ø	4 mm
Nominal flow rate	390 NI/min

CONSTRUCTIVE CHARACTERISTICS

Valve body	acetalic resin
Seals	nitrile rubber
Actuators	technopolymer
Spool	aluminium

ELECTRIC CHARACTERISTICS

Electropilot/coil	A series/U05
Voltage	24 V DC - 12 V DC - 24 V AC - 110 V AC - 230 V AC (only for version with integrated electrical connection)
Power consumption	U05 = 2 W (DC) 2,3 VA (AC) U04 = 1,2 W (DC)
Protection degree	IP65
Manual override	recessed button – 1 position

CODIFICATION KEY

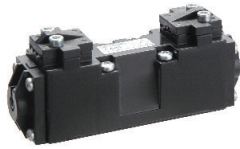
F	-	0	2	2	4	
1		2	3	4	5	

1 Series	2 Type	3 Control 14	4 Return 12
F = COMPA 4 Miniature Valves	02 = 5/2 Sub-base mounting 05 = 5/3 c.c. Sub-base mounting 06 = 5/3 o.c. Sub-base mounting 07 = 5/3 p.c. Sub-base mounting	2 = Electrical amplified DC 4 = Pneumatic amplified 7 = Electrical amplified DC/AC	0 = Pneumomechanical spring 2 = Electrical amplified DC 4 = Pneumatic amplified 7 = Electrical amplified DC/AC

5 ATEX version
X = Atex (upon request)
See ATEX Catalogue for types and versions

o.c. = open centres c.c. = closed centres p.c. = pressurized centres

Single pneumatic impulse

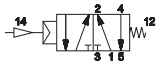


- 1 = Supply port
- 2 - 4 = Use
- 3 - 5 = Exhaust
- 14 = Control
- 12 = Return

Weight (Kg): 0,068

Symbol	Control	Return	Part no.
	14	12	

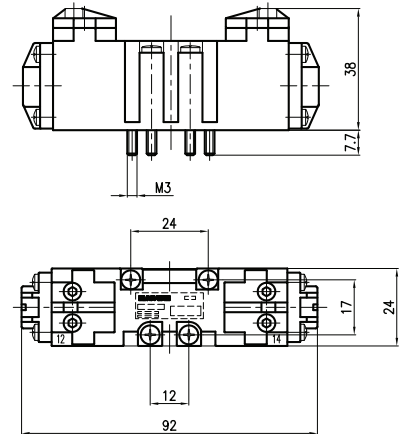
5/2



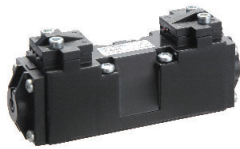
Pneumatic amplified

Pneumomechanical spring

F-0240



Double pneumatic impulse



- 1 = Supply port
- 2 - 4 = Use
- 3 - 5 = Exhaust
- 14 = Control
- 12 = Return

Weight (Kg): 0,082

Symbol	Control	Return	Part no.
	14	12	

5/2

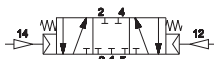


Pneumatic amplified

Pneumatic amplified

F-0244

5/3 c.c.

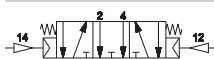


Pneumatic amplified

Pneumatic amplified

F-0544

5/3 o.c.

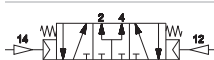


Pneumatic amplified

Pneumatic amplified

F-0644

5/3 p.c.

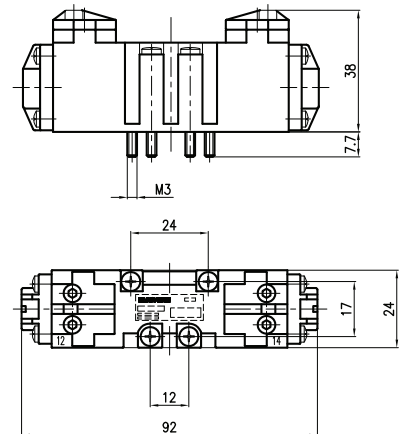


Pneumatic amplified

Pneumatic amplified

F-0744

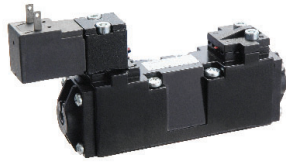
o.c. = open centres c.c. = closed centres p.c. = pressurized centres



3

Solenoid valves are supplied without coil and connector

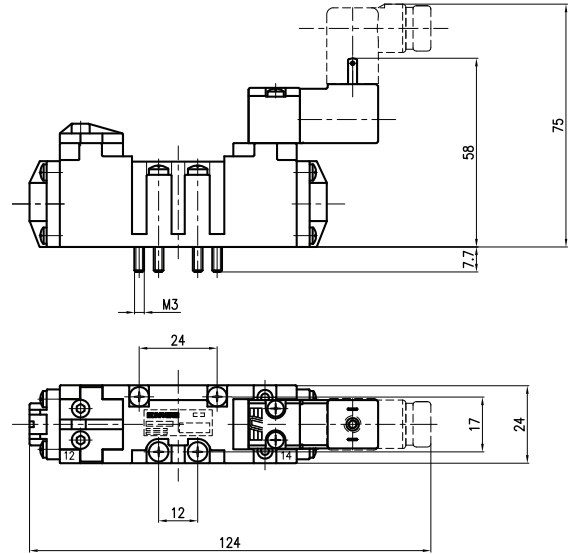
Single electrical impulse



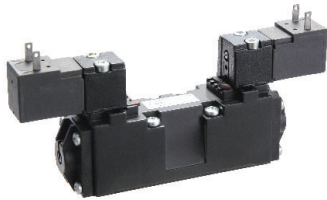
- 1 = Supply port
- 2 - 4 = Use
- 3 - 5 = Exhaust
- 14 = Control
- 12 = Return

Weight (Kg): 0,066

Symbol	Control	Return	Part no.
	14	12	
5/2	Electrical amplified	Pneumomechanical spring	F-0220 F-0270



Double electrical impulse

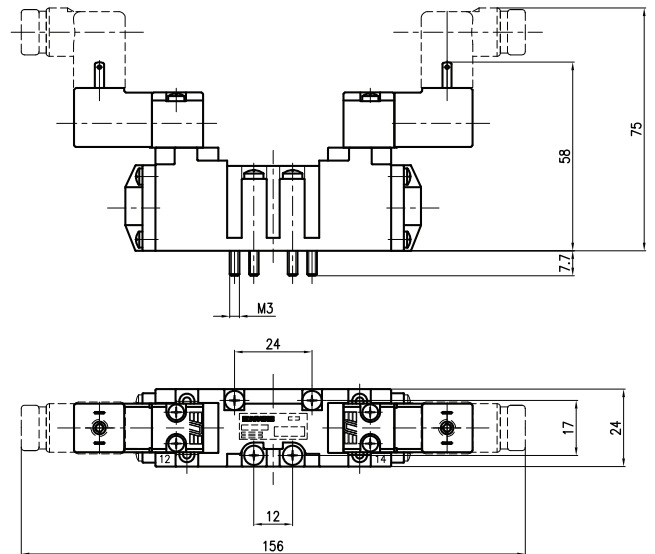


- 1 = Supply port
- 2 - 4 = Use
- 3 - 5 = Exhaust
- 14 = Control
- 12 = Return

Weight (Kg): 0,066

Symbol	Control	Return	Part no.
	14	12	
5/2	Electrical amplified	Electrical amplified	F-0222 F-0277
5/3 c.c.	Electrical amplified	Electrical amplified	F-0522 F-0577
5/3 o.c.	Electrical amplified	Electrical amplified	F-0622 F-0677
5/3 p.c.	Electrical amplified	Electrical amplified	F-0722 F-0777

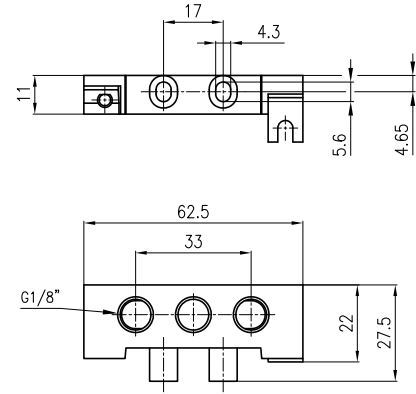
o.c. = open centres c.c. = closed centres p.c. = pressurized centres



Solenoid valves are supplied without coil and connector

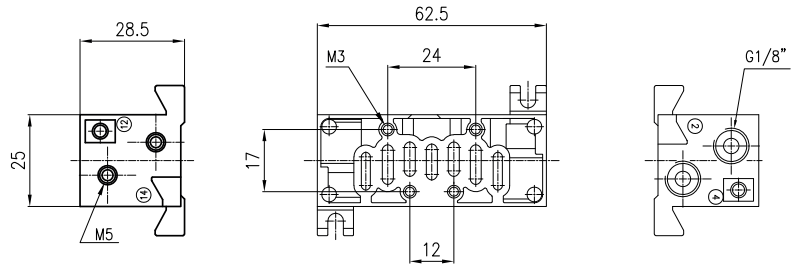
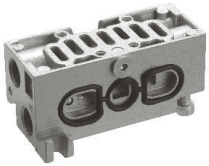
Subject to change

F-4500



Inlet plate G1/8
 material: aluminium
 weight: 0,050 Kg

F-4505



Manifold sub-base, threaded connections G1/8
 material: aluminium
 weight: 0,062 Kg

3